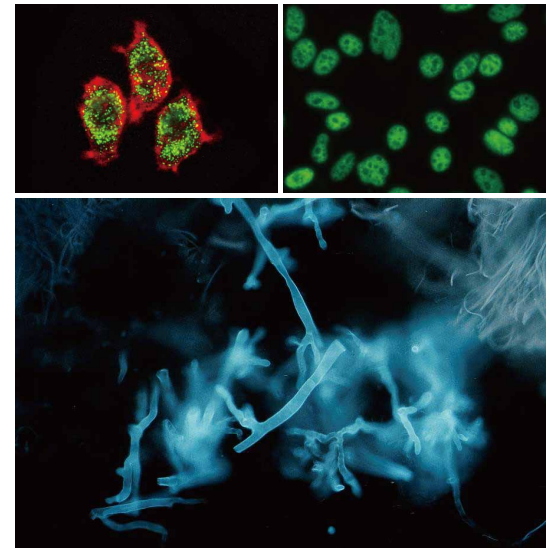


F-Series F110/F120/F140 FLUORESCENCE MICROSCOPE ILLUMINATORS

OVERVIEW

ScopeLED's F-Series LED based Fluorescence Microscope Illuminators are designed to replace conventional metal halide and mercury arc lamp sources for fluorescence microscopy applications. The heart of the F-Series illuminator is our high performance LED light engine with our advanced thermal design, yielding very high intensity and optically stable light output. The F-Series design offers the most compact illumination source in the industry, directly coupled to the microscope's epi-fluorescence illumination port. ScopeLED offers wavelengths from 390nm to 740nm in single, dual, or quadruple wavelength models. With over 30,000 hours of LED lifetime and low power consumption, ScopeLED is the bright, affordable, efficient, and environmentally friendly solution for wide-field fluorescence applications.



FEATURES

- High Efficiency Dense Matrix LED™ Array Light Source
- Brilliant Fluorescence Images
- Easy Ergonomic Controls
- Instant On/Off (No Warm-up Time)
- Manual, TTL, and Software Control
- Variable Intensity
- 30,000 Hours of LED Lifetime
- Direct Coupling to Microscope
- Optional Foot Switch for Shuttering
- Extremely Cost Effective
- Collector Lens with Adjustable Focus
- Custom Wavelengths Available
- No Hazardous Material in the Laboratory
- No Fiber Guide Replacement
- No Bulb Replacement
- No Maintenance
- No Alignment

COMPATIBLE MICROSCOPE BRANDS

AccuScope, Leica, Motic, Nikon, Olympus, Zeiss, and others

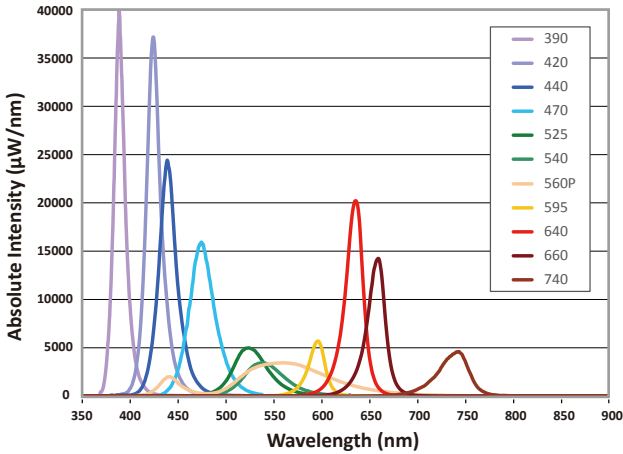
“The ScopeLED F-Series LED light source is a fantastic alternative light source for fluorescence microscopy. The DAPI and GFP channels are breathtakingly bright; easily twice as bright as any other source I have in the Facility.”

- Dr. Steven Ruzin, Director, Biological Imaging Facility, University of California, Berkeley



TYPICAL FIXTURE OPTICAL PERFORMANCE @ 1000mA, 25°C, SCAN AT STABLE

Nominal Wp	390±5	420±5	440±5	470+10/-0	525±5	540+6/-7	560P±5	595±5	640±5	660±5	740±5
Measured Wp	392	422	440	474	523	538	558	596	642	658	744
Power (mW)	600	850	600	550	270	200	420	110	420	350	170



ORDERING INFORMATION

Device

SLF Fluorescence Illuminator

Control

- 110 Single Labeling (No Movement)
- 120 Dual Labeling (Single Axis)
- 140 Quadruple Labeling (Dual Axes)

Wavelength Specification*

- LX L1 through LC for F110
- PX P1 through PC for F120
- GX G1 through GC for F140

Accessories (Optional)

- SLAF-FOOT Foot Switch Shutter Control
- SLAF-2BNC Analog to Digital Communication Cable:
4-Pin to 2-BNC Male Cable
- SLAF-EXT15 Extends Warranty on Item for One Additional Year

Adapters available for most brands of microscope models - please specify your microscope model for the appropriate adapter.

*** Please contact ScopeLED for customized wavelengths or spectrums.**

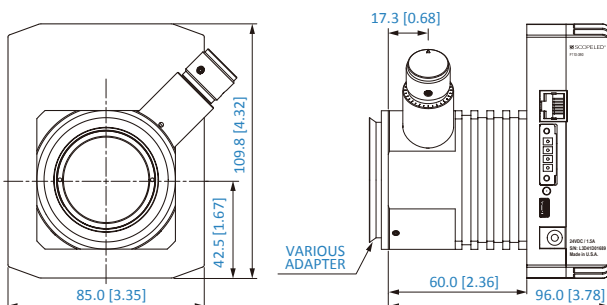
SPECIFICATIONS/RATINGS

Supply Voltage	24VDC
Input Current	1.25A max
Maximum Power Consumption (F110)	10W
Maximum Power Consumption (F120)	24W
Maximum Power Consumption (F140)	30W
Operating Temperature	0°C to 40°C
Storage Temperature	-20°C to 75°C
Humidity	10% to 90%
Model Weight: F110	1.35 lbs
Model Weight: F120	2.45 lbs
Model Weight: F140	2.56 lbs

MECHANICAL DIMENSIONS

Unit: mm [inch]

F110



F120 and F140

